

Sample Question Paper

Total Marks-30

Time- 1hr 30min

Q1. Attempt any one

5

- a. A circle of 60 mm diameter rolls on a straight line without slipping. Draw the locus of point P for complete revolution of the circle. The point P is 38 mm above the straight line and towards the right of vertical centre line of the circle
- b. Top view and front view of a line AB, 70 mm long measures 55 mm and 60 mm respectively. Draw its projections if end A is 15 mm above HP and 20 mm in front of VP. Determine its inclinations with HP and VP.

Q2. Attempt any one

15

- a. Figure 1 shows pictorial view of an object draw
 - i) Front view(04)
 - ii) Top view(04)
 - iii) Dimension the view (01)

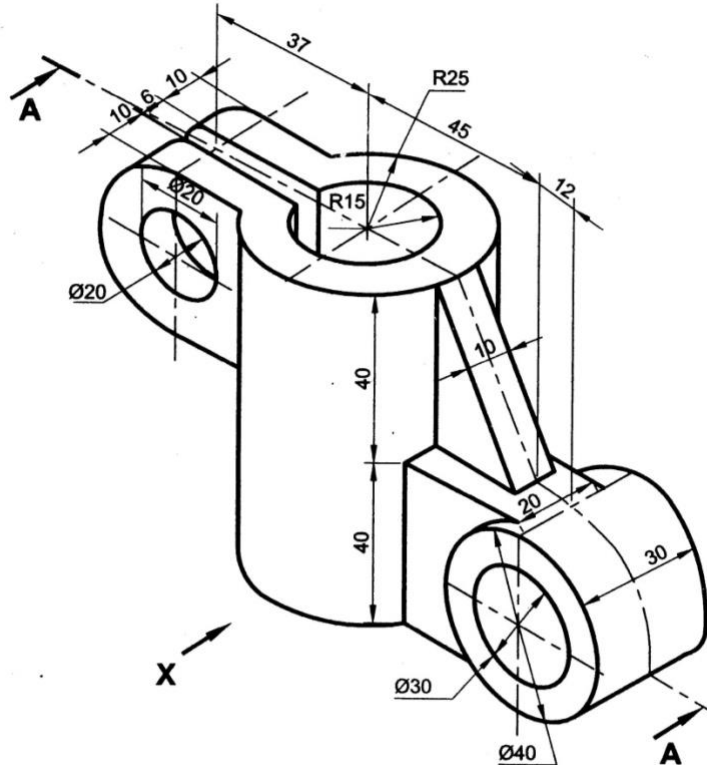


Figure 1

- a. A pentagonal pyramid side of base 30mm and axis 60mm long stands on an edge of base on HP. The edge makes an angle of 45° with the VP. Draw its projections if the apex is 40mm above HP and nearer to the observer.

Q3. Attempt any one

15

- a. A hexagonal prism with edge of base 30mm and height 70mm has its edge of base in the VP and the base surface is inclined at 30° to VP and perpendicular to HP. Draw its projections
- b. Draw Isometric view of figure 2

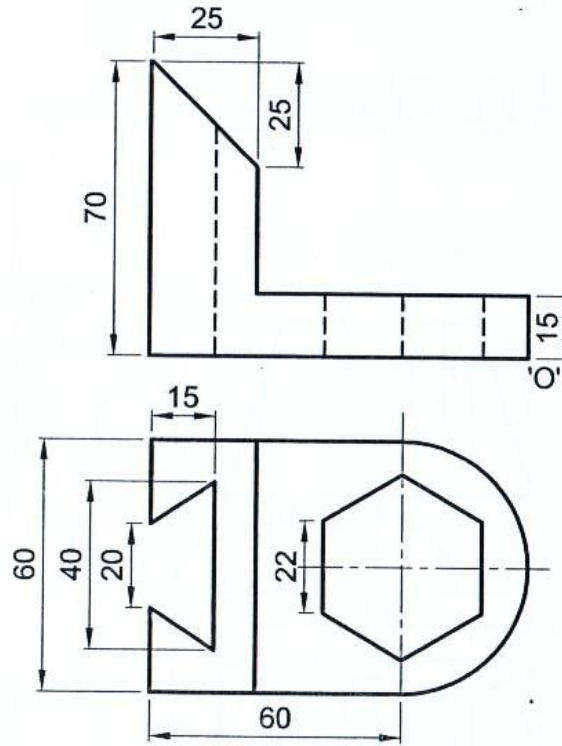


Figure 2

Note-

10 to 15 minutes for uploading the scanned copy of answer paper.